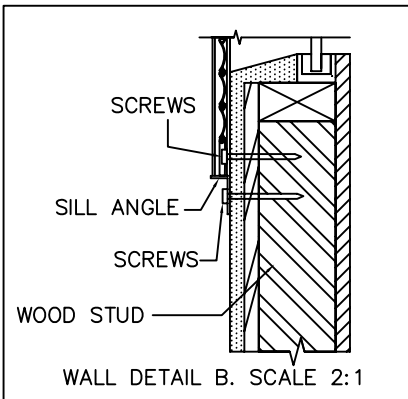
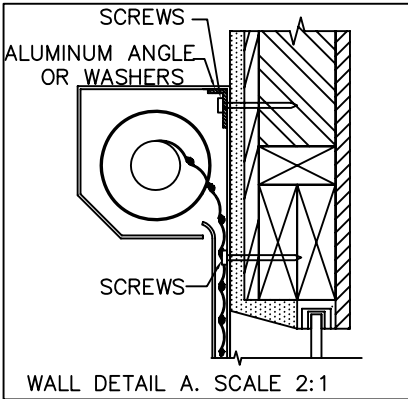
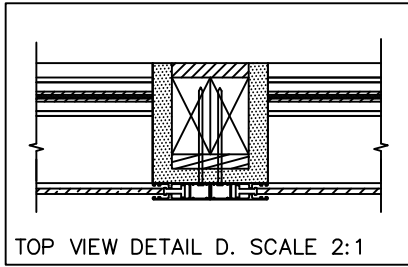
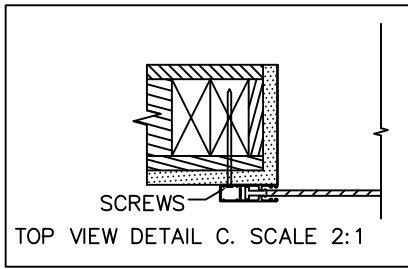
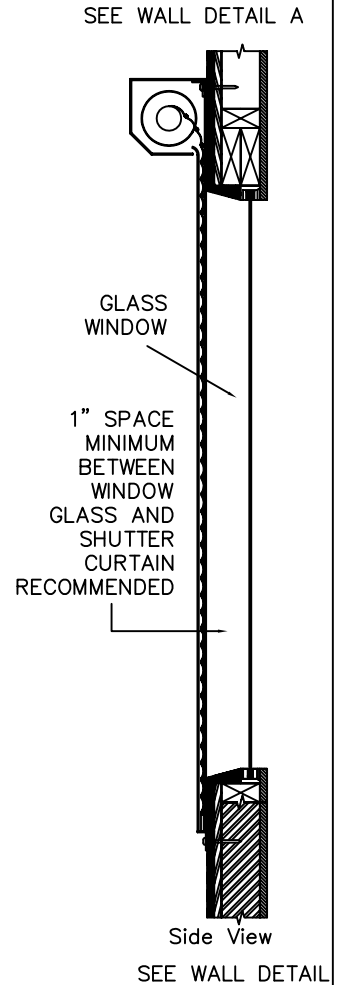
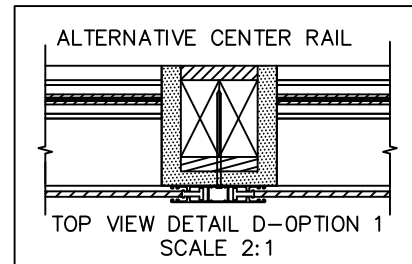
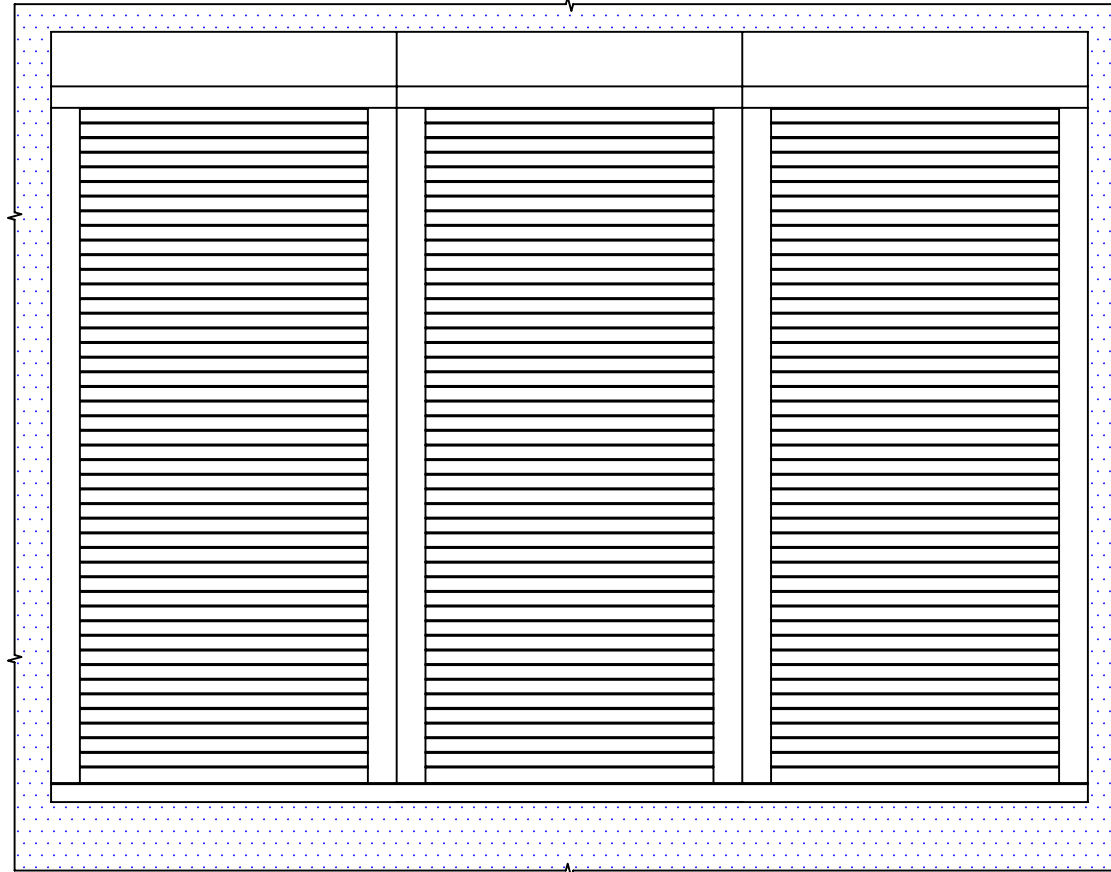
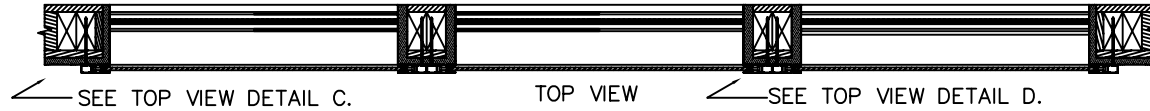


CONSECUTIVE SINGLE UNIT INSTALLATION FLUSH WALL MOUNT

CONSECUTIVE UNITS CAN BE WALL MOUNTED FLUSH WITH THE FRONT OF THE WINDOW DIVIDERS.



NOTE: LEED CONSTRUCTION MAY CALL FOR ADDITIONAL CONSIDERATIONS.

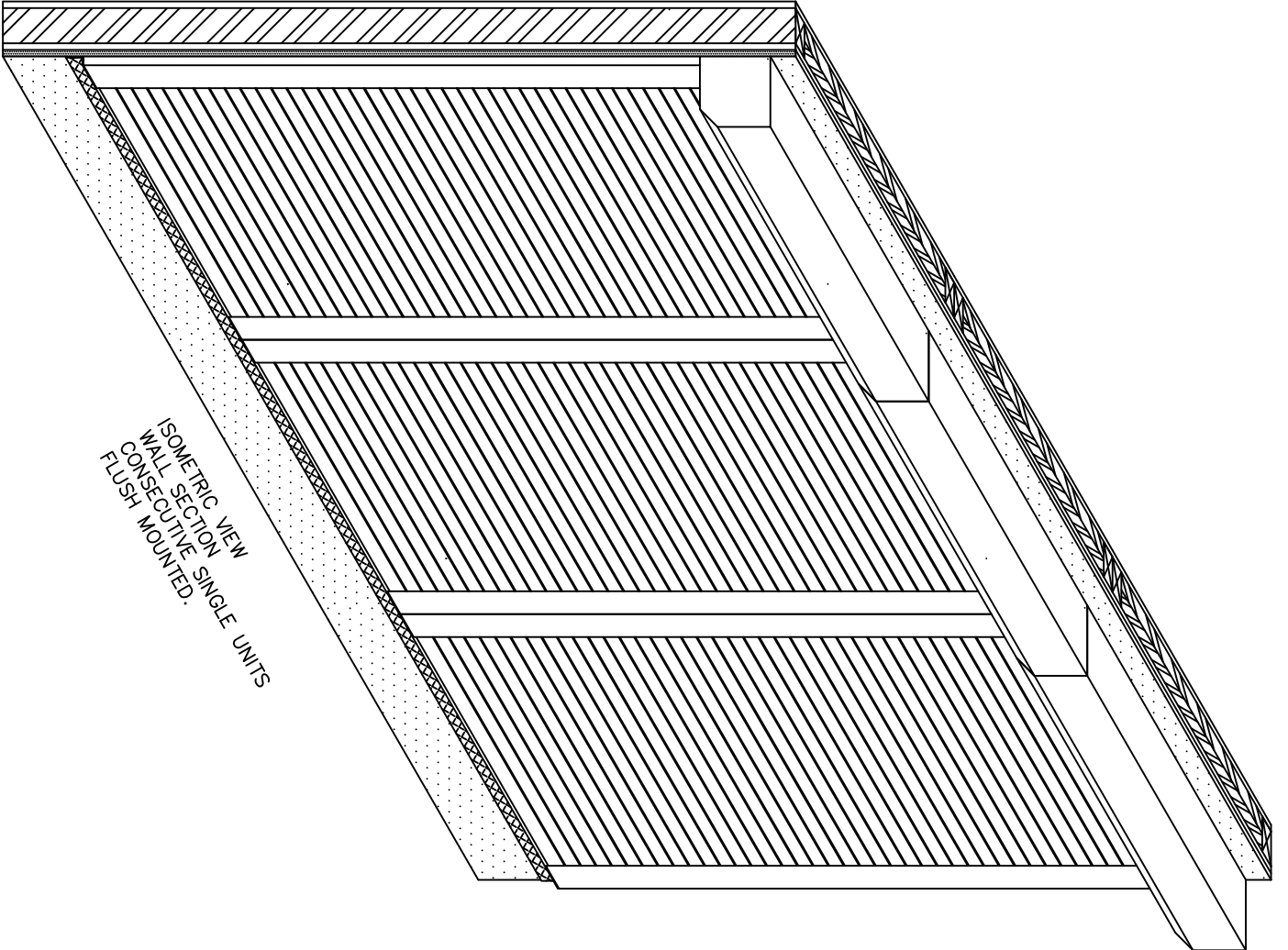


NOTE: HEIGHT AND WIDTH OF SHUTTER TO BE DETERMINED ON A PER INSTALLATION BASIS. CALL ROLLAC FOR MORE DETAILS.

NOTE: FOR INSTALLATION INSTRUCTIONS ON ROLLAC HURRICANE RATED SHUTTERS, PLEASE REFER TO THE ENGINEERING DOCUMENTS ON WWW.ROLLAC.COM



5331 W. Orange St.
Pearland, Tx. 77581
Tel: 281-485-0839
www.rollac.com



ISOMETRIC VIEW
WALL SECTION
CONSECUTIVE SINGLE UNITS
FLUSH MOUNTED.



5331 W. Orange St.
Pearland, Tx. 77581
Tel: 281-485-0839
www.rollac.com